

imanpack

PACKAGING & ECO SOLUTIONS

MICROPACK PRO LTS

Long sealing time Flow-wrapper
(HFFS)

Micropack PRO LTS horizontal wrapping machine suitable for wrapping solid products with polypropylene, polyethylene or laminated film.



Product range

Length: from 30 mm up

Width: from 20 mm to 225 mm

Height: up to 140 mm

Width + Height: up to 226 mm

Speed

Up to 60 pack./min

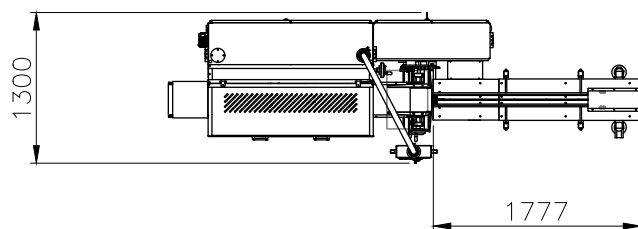
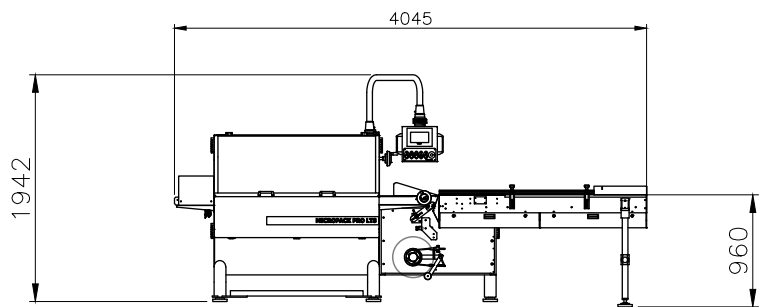


TECHNICAL FEATURES

- Base in painted metal steelwork.
- Parts in contact with the product in AISI 304 steel.
- PLC with Imanpack user interface.
- Independent axes motors.
- Longitudinal sealing unit adjustable in height.
- Long sealing time transversal sealing unit.
- Universal adjustable forming unit.
- Machine built according to CE Standards.

ACCESSORIES

- Automatic feeder system.
- European hole punch.
- Labelling and printing machines.
- Gas supply system.
- Print centering photocell.
- Easy opening.



layout

imanpack

PACKAGING & ECO SOLUTIONS

Via Lago di Bolsena, 19 36015 Schio (VI) ITALY
Tel. +39.0445.578.811 Fax+39.0445.575.111
www.imanpack.it email: info@imanpack.it