

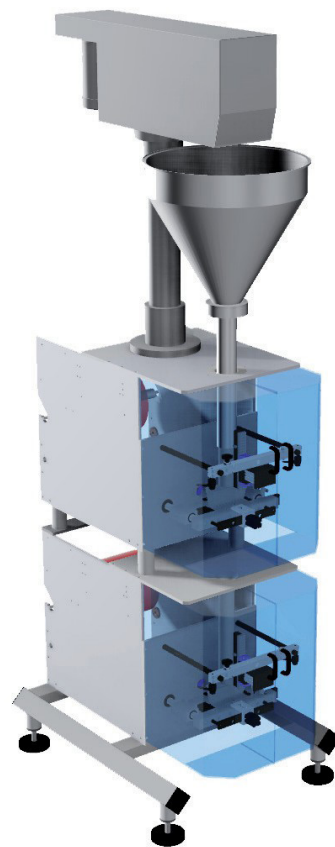
# imanpack

PACKAGING & ECO SOLUTIONS

## BAG IN BAG

### Vertical Form-Fill-Seal Machine (VFFS)

The system is composed of two form-fill-seal machines vertically connected to achieve a "bag-in-bag" package suitable for coffee pods or any other product requiring double wrapping.



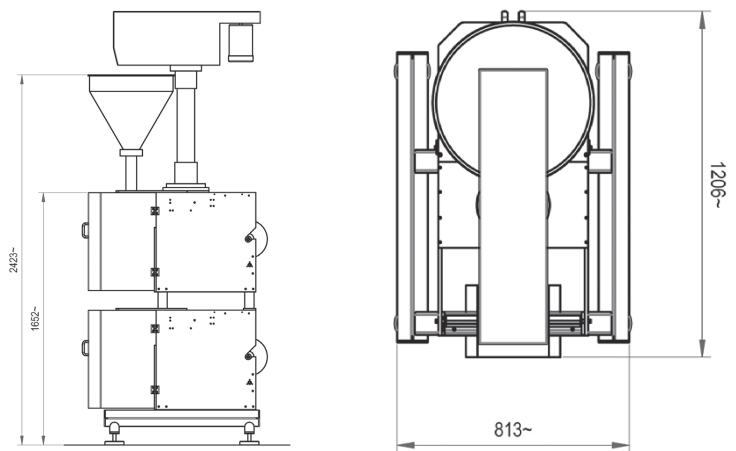
**Film width**  
400 mm  
**Bag width**  
50 - 175 mm  
**Bag length**  
500 - 200 mm  
**Production speed**  
60 bags/min





## TECHNICAL FEATURES

- Stainless steel frame.
- Motorised reel holder.
- End of film detection.
- Film pulling unit by toothed drive belts.
- Encoder-controlled pouch length adjustment.
- Pneumatically activated cross sealing jaws.
- Pneumatically activated longitudinal sealing bar.
- Impulse sealing system for PE version.
- PLC thermoregulator for temperature control on OPP version.
- Rockwell Allen Bradley® or Siemens PLC control unit.
- HMI by colour touchscreen.
- Machine built according to CE regulations.



layout

**imanpack**

**PACKAGING & ECO SOLUTIONS**

Via Lago di Bolsena, 19 36015 Schio (VI) ITALY  
Tel. +39.0445.578.811 Fax +39.0445.575.111  
www.imanpack.it email: info@imanpack.it